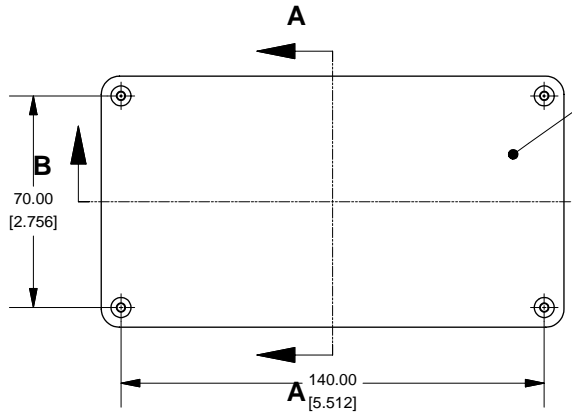
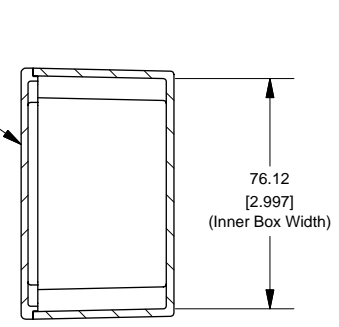


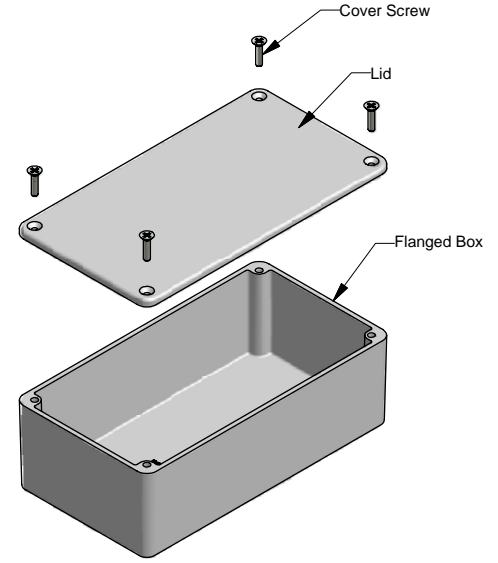
Top View of Assembly



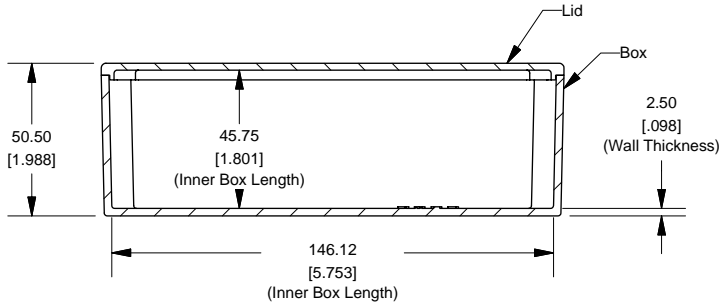
SECTION A-A End View of Assembly



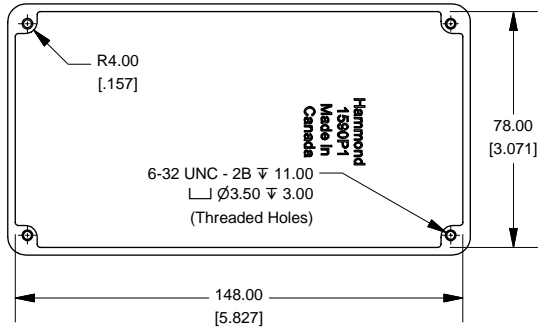
Series 1590P1



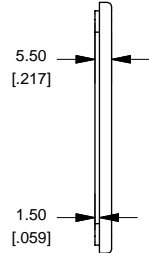
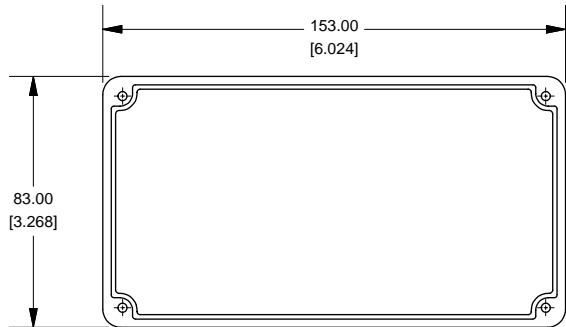
SECTION B-B Side View of Assembly



Top View Looking Inside Box



Lid



NOTE
Purchased assembly includes box, lid and 4 cover screws.
Box and lid are made from Diecast Aluminum Alloy (alloy type 360.1).

PART NUMBERS	
1590P1 Enclosure	
Unfinished	1590P1
Black Textured Powder Paint	1590P1BK
1590P1 Liquid Resistant Enclosure (Silicon Factory Installed Gasket)	
Unfinished	1590WP1
Black Textured Powder Paint	1590WP1BK
ACCESSORIES	
Unfinished	
Cover Screws (Pkg 100)	
[6-32 x 1/2" Nickel Plated Screws]	1590MS100
Black Textured Powder Paint	
Cover Screws (Pkg 50)	
[6-32 x 1/2" Stainless Steel Black Screws]	1590MS50BK

